

10 9 8 7 6 5 4 3 2 1

F

F

E

E

D

D

C

C

B

B

A

A



| | | |
|------------|------------|------------------------|
| 53261-**** | WAFER ASSY | MODEL NO./MATERIAL NO. |
| 50079-**** | TERMINAL | |
| 51021-**** | HOUSING | |

| | | | | | | | | |
|--|---------------------------------------|-------|--|--------------------|---|------------------------|------------------------|--|
| RELEASED EC NO: J2006-2426 DRWN: A0YAGI 2006/02/02 CHKD: YMAEDA 2006/02/03 APPR: NUKITA 2006/02/07 | GENERAL TOLERANCES (UNLESS SPECIFIED) | | DIMENSION STYLE MM ONLY | | SCALE --- | DESIGN UNITS METRIC | THIRD ANGLE PROJECTION | |
| | 10 UNDER | ± --- | DRAWN BY Y. A0YAGI | DATE 2006/01/30 | TITLE 1.25 W-TO-B CONN. 51021,53261 MATING CROSS SECTION | | | |
| | 10 OVER 30 UNDER | ± --- | CHECKED BY Y. MAEDA | DATE 2006/01/30 | MOLEX INCORPORATED | | | |
| | 30 OVER | ± --- | APPROVED BY N. UKITA | DATE 2006/01/30 | MATERIAL NO. SEE CHART | | | |
| | ANGULAR ± --- ° | | DRAFT WHERE APPLICABLE MUST REMAIN WITHIN DIMENSIONS | | DOCUMENT NO. SD-51021-002 | | SHEET NO. 1 OF 1 | |

9

8

7

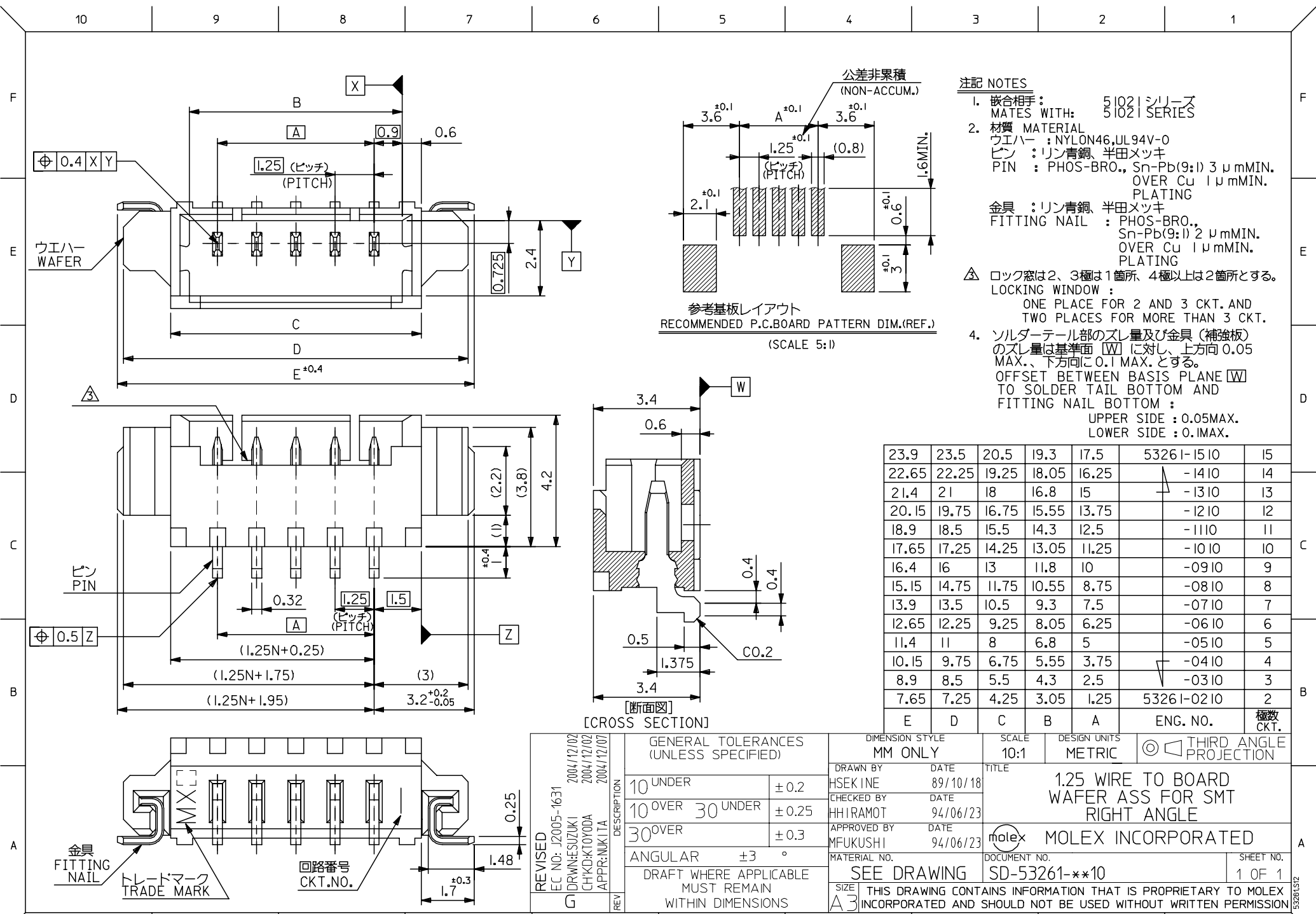
6

5

4

3

2



- 注記 NOTES**
- 嵌合相手: 51021 シリズ
MATES WITH: 51021 SERIES
 - 材質 MATERIAL
ワエハー: NYLON46, UL94V-0
ピン: リン青銅, 半田メッキ
PIN: PHOS-BRO., Sn-Pb(9:1) 3 μmMIN.
OVER Cu 1 μmMIN.
PLATING
金具: リン青銅, 半田メッキ
FITTING NAIL: PHOS-BRO., Sn-Pb(9:1) 2 μmMIN.
OVER Cu 1 μmMIN.
PLATING
- △ ロック窓は2、3極は1箇所、4極以上は2箇所とする。
LOCKING WINDOW:
ONE PLACE FOR 2 AND 3 CKT. AND
TWO PLACES FOR MORE THAN 3 CKT.
- ソルダータール部のスレ量及び金具(補強板)のスレ量は基準面 [W] に対し、上方向 0.05 MAX.、下方向に 0.1 MAX. とする。
OFFSET BETWEEN BASIS PLANE [W] TO SOLDER TAIL BOTTOM AND FITTING NAIL BOTTOM:
UPPER SIDE: 0.05MAX.
LOWER SIDE: 0.1MAX.

| | | | | | | |
|-------|-------|-------|-------|-------|------------|------------|
| 23.9 | 23.5 | 20.5 | 19.3 | 17.5 | 53261-1510 | 15 |
| 22.65 | 22.25 | 19.25 | 18.05 | 16.25 | -1410 | 14 |
| 21.4 | 21 | 18 | 16.8 | 15 | -1310 | 13 |
| 20.15 | 19.75 | 16.75 | 15.55 | 13.75 | -1210 | 12 |
| 18.9 | 18.5 | 15.5 | 14.3 | 12.5 | -1110 | 11 |
| 17.65 | 17.25 | 14.25 | 13.05 | 11.25 | -1010 | 10 |
| 16.4 | 16 | 13 | 11.8 | 10 | -0910 | 9 |
| 15.15 | 14.75 | 11.75 | 10.55 | 8.75 | -0810 | 8 |
| 13.9 | 13.5 | 10.5 | 9.3 | 7.5 | -0710 | 7 |
| 12.65 | 12.25 | 9.25 | 8.05 | 6.25 | -0610 | 6 |
| 11.4 | 11 | 8 | 6.8 | 5 | -0510 | 5 |
| 10.15 | 9.75 | 6.75 | 5.55 | 3.75 | -0410 | 4 |
| 8.9 | 8.5 | 5.5 | 4.3 | 2.5 | -0310 | 3 |
| 7.65 | 7.25 | 4.25 | 3.05 | 1.25 | 53261-0210 | 2 |
| E | D | C | B | A | ENG. NO. | 極数 CKT. |

GENERAL TOLERANCES (UNLESS SPECIFIED)

| | |
|------------------|-------|
| 10 UNDER | ±0.2 |
| 10 OVER 30 UNDER | ±0.25 |
| 30 OVER | ±0.3 |
| ANGULAR | ±3 ° |

DRAFT WHERE APPLICABLE MUST REMAIN WITHIN DIMENSIONS

DIMENSION STYLE: MM ONLY

SCALE: 10:1

DESIGN UNITS: METRIC

THIRD ANGLE PROJECTION

REVISED EC NO: J2005-1631 2004/12/02
DRAWN: SUZUKI 2004/12/02
CHKD: KTOYODA 2004/12/02
APPR: NUKITA 2004/12/07

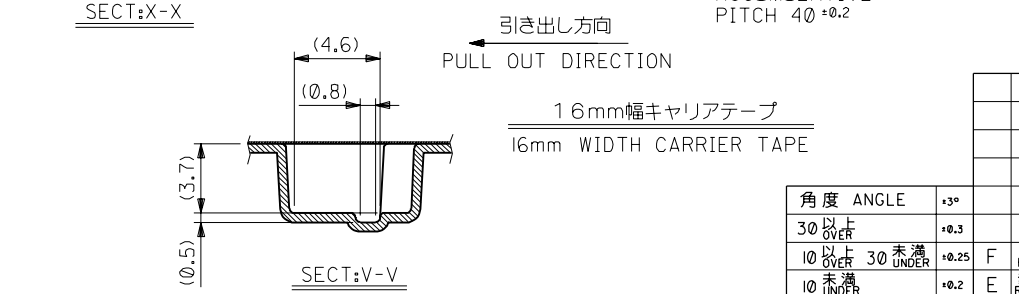
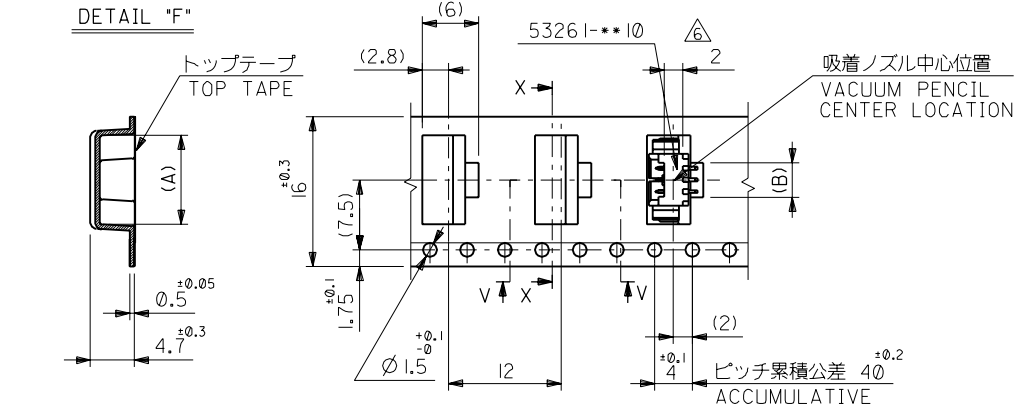
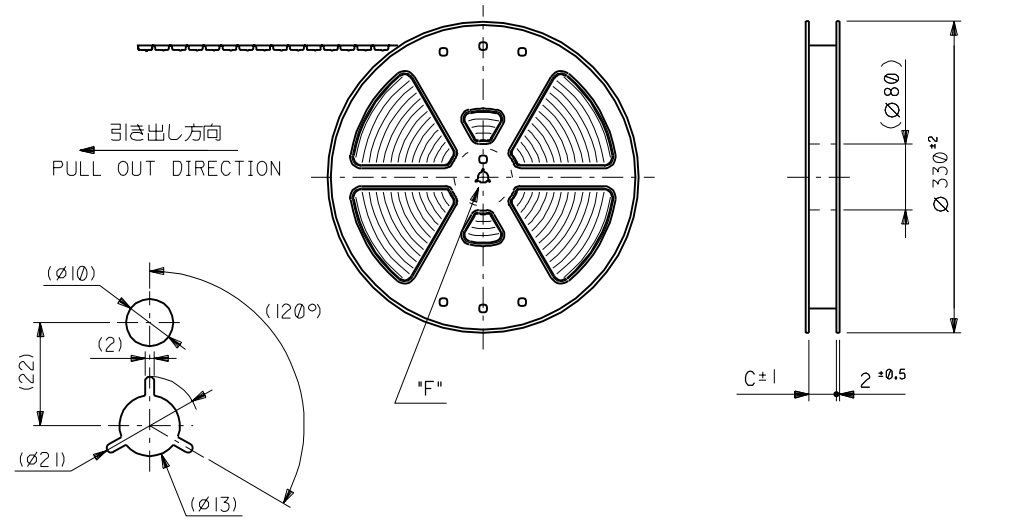
DRAWN BY: HSEKINE DATE: 89/10/18
CHECKED BY: HHIRAMOT DATE: 94/06/23
APPROVED BY: MFUKUSHI DATE: 94/06/23

MATERIAL NO. SEE DRAWING
DOCUMENT NO. SD-53261-**10
SHEET NO. 1 OF 1

1.25 WIRE TO BOARD WAFER ASS FOR SMT RIGHT ANGLE

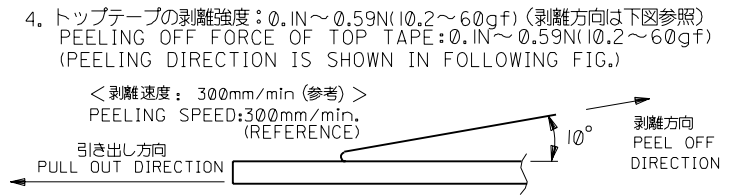
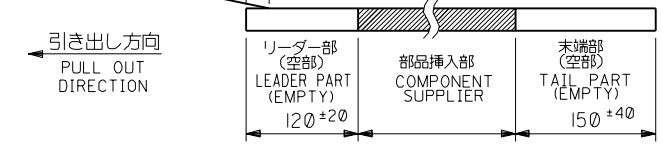
MOLEX INCORPORATED

THIS DRAWING CONTAINS INFORMATION THAT IS PROPRIETARY TO MOLEX INCORPORATED AND SHOULD NOT BE USED WITHOUT WRITTEN PERMISSION



注記 NOTES

- 53261-***10 の詳細寸法については図面 SD-53261-***10 を参照下さい。
RE DETAILED DIMENSIONS, SEE SD-53261-***10.
- 梱包数量: 1000個/リール
NUMBER OF CONNECTOR: 1000PCS/REEL
- リードテープ長さ LEAD TAPE LENGTH
 トップテープリーダ部 TOP TAPE LEADER PART 175 ± 2.5
 トップテープ未接着部 TOP TAPE NON-BONDED PART 25 ± 5
- トップテープの剥離強度: 0.1N ~ 0.59N (10.2 ~ 60gf) (剥離方向は下図参照)
 PEELING OFF FORCE OF TOP TAPE: 0.1N ~ 0.59N (10.2 ~ 60gf)
 (PEELING DIRECTION IS SHOWN IN FOLLOWING FIG.)
 <剥離速度: 300mm/min (参考)>
 PEELING SPEED: 300mm/min. (REFERENCE)
- 材料 (MATERIAL)
 キャリアテープ (CARRIER TAPE): ポリプロピレン (POLYPROPYLENE)
 トップテープ (TOP TAPE): PET, PE, PEF
 リール (REEL): ポリスチレン (PS) <リサイクル材含む>
 POLYSTYRENE (PS) <RECYCLE MATERIAL CONTAINED>

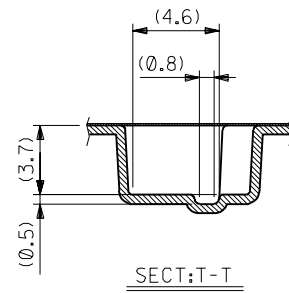
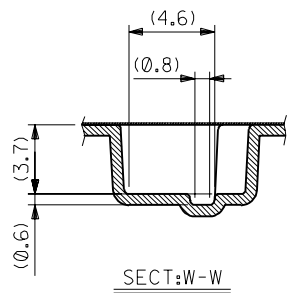
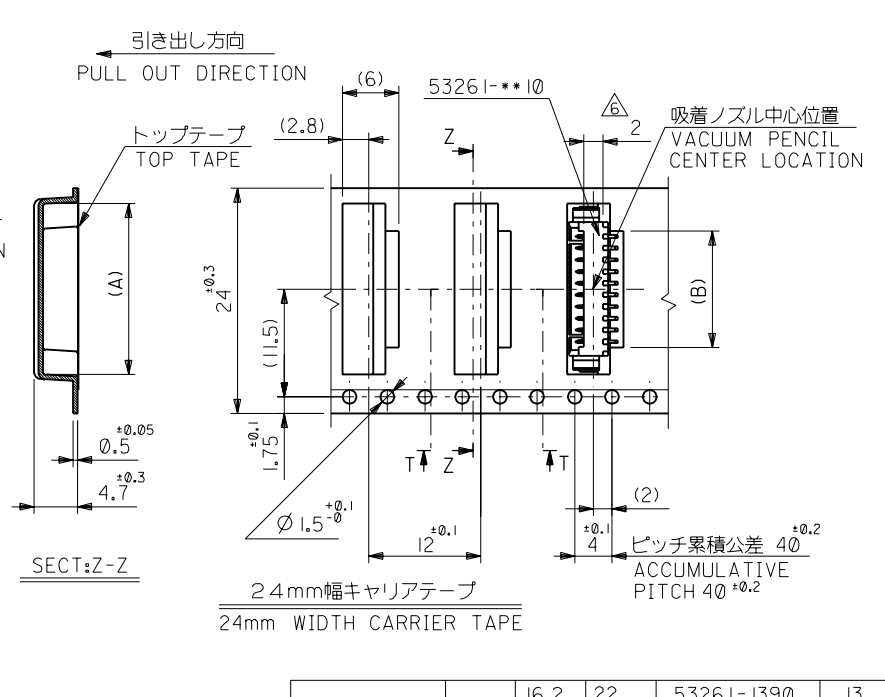
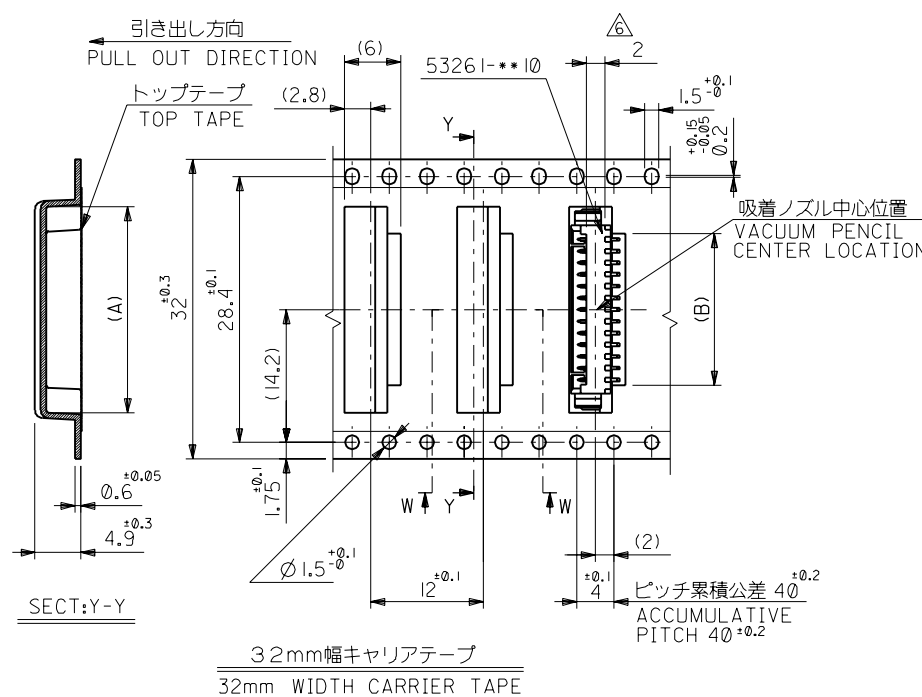


- 材料 (MATERIAL)
 キャリアテープ (CARRIER TAPE): ポリプロピレン (POLYPROPYLENE)
 トップテープ (TOP TAPE): PET, PE, PEF
 リール (REEL): ポリスチレン (PS) <リサイクル材含む>
 POLYSTYRENE (PS) <RECYCLE MATERIAL CONTAINED>
- △ コネクタ、ハウジング平面部
CONNECTOR, HOUSING FLAT AREA

| | | | | | |
|----------------------------------|----------------------------------|-------------|---|------------|---|
| 16 | 16.4 | 3.7 | 9.5 | 53261-0390 | 3 |
| キャリアテープ幅 CARRIER TAPE WIDTH | C | 2.45 | 8.25 | 53261-0290 | 2 |
| 材料 MATERIAL | 注記参照 SEE NOTES | | molex MOLEX-JAPAN CO.,LTD. 日本モレックス株式会社 | | |
| 仕上げ FINISH | — / — | | REVISE ONLY ON CAD SYSTEM | | |
| 適用電線範囲 WIRE RANGE | — / — | | TITLE 名称 1.25 WIRE TO BOARD CONN. WAFER ASS'Y FOR SMT. EMBOSSED TAPE PACKAGE | | |
| 被覆外径 INS. RANGE | — / — | | DWG. NO. SHEET 1 OF 3 REV SD-53261-***90 | | |
| DRAWN BY '93/6/1 K.TOJO | CHK'D BY '00/12/8 T.YAMAGUCHI | SCALE — / — | | | |
| APP'D BY '00/12/8 M.FUKUSHIMA | DATE | | | | |

| | | | | | |
|----------------------------|-------|-----------|----------------------------|--------------|-------------------|
| 角度 ANGLE | ±3° | | | | |
| 30以上 OVER | +0.3 | | | | |
| 10以上 30未満 OVER UNDER | +0.25 | F | 変更 REVISED | UC2001-0437H | S.M. T.y '00/12/8 |
| 10未満 UNDER | +0.2 | E | 変更及び再作図 REVISED&REDRAWN | (J30522) | K.T. H.H. '93/6/1 |
| 一般公差 GENERAL TOLERANCES | | 記号 LTR | 変更内容 REVISION RECORD | DR. CHK. | 日付 DATE |

DWG. NO.
SD-53261-***90



| | | | | | |
|--------------------------------|------|-------|-------|------------|------------|
| 32 | 32.4 | 16.2 | 22 | 53261-1390 | 13 |
| | | 14.95 | 20.75 | -1290 | 12 |
| 24 | 24.4 | 13.7 | 19.5 | -1190 | 11 |
| | | 12.45 | 18.25 | -1090 | 10 |
| | | 11.2 | 17 | -0990 | 9 |
| | | 9.95 | 15.75 | -0890 | 8 |
| | | 8.7 | 14.5 | -0790 | 7 |
| | | 7.45 | 13.25 | -0690 | 6 |
| | | 6.2 | 12 | -0590 | 5 |
| | | 4.95 | 10.75 | 53261-0490 | 4 |
| キャリアテープ幅 CARRIER TAPE WIDTH | C | B | A | ENG. NO. | 極致 CKT. |

| | | | |
|----------------------------|-------------------------|----------------|-------------------|
| 材料 MATERIAL | 注記参照 SEE NOTES | 材料 MATERIAL | 注記参照 SEE NOTES |
| 仕上げ FINISH | — | 材料 MATERIAL | 注記参照 SEE NOTES |
| 適用電線範囲 WIRE RANGE | — | 材料 MATERIAL | 注記参照 SEE NOTES |
| 被覆外径 INS. RANGE | — | 材料 MATERIAL | 注記参照 SEE NOTES |
| 角度 ANGLE | ±3° | 材料 MATERIAL | 注記参照 SEE NOTES |
| 30以上 OVER | +0.3 | 材料 MATERIAL | 注記参照 SEE NOTES |
| 10以上 30未満 UNDER | +0.25 | 材料 MATERIAL | 注記参照 SEE NOTES |
| 10未満 UNDER | +0.2 | 材料 MATERIAL | 注記参照 SEE NOTES |
| 一般公差 GENERAL TOLERANCES | 記号 LTR | 材料 MATERIAL | 注記参照 SEE NOTES |
| | 変更内容 REVISION RECORD | 材料 MATERIAL | 注記参照 SEE NOTES |
| | DR. 日付 CHK. DATE | 材料 MATERIAL | 注記参照 SEE NOTES |

| | | | |
|----------------------------|-------------------------|----------------|-------------------|
| 材料 MATERIAL | 注記参照 SEE NOTES | 材料 MATERIAL | 注記参照 SEE NOTES |
| 仕上げ FINISH | — | 材料 MATERIAL | 注記参照 SEE NOTES |
| 適用電線範囲 WIRE RANGE | — | 材料 MATERIAL | 注記参照 SEE NOTES |
| 被覆外径 INS. RANGE | — | 材料 MATERIAL | 注記参照 SEE NOTES |
| 角度 ANGLE | ±3° | 材料 MATERIAL | 注記参照 SEE NOTES |
| 30以上 OVER | +0.3 | 材料 MATERIAL | 注記参照 SEE NOTES |
| 10以上 30未満 UNDER | +0.25 | 材料 MATERIAL | 注記参照 SEE NOTES |
| 10未満 UNDER | +0.2 | 材料 MATERIAL | 注記参照 SEE NOTES |
| 一般公差 GENERAL TOLERANCES | 記号 LTR | 材料 MATERIAL | 注記参照 SEE NOTES |
| | 変更内容 REVISION RECORD | 材料 MATERIAL | 注記参照 SEE NOTES |
| | DR. 日付 CHK. DATE | 材料 MATERIAL | 注記参照 SEE NOTES |

THIS DRAWING CONTAINS INFORMATION THAT IS PROPRIETARY TO MOLEX(JAPAN) AND SHOULD NOT BE USED WITHOUT WRITTEN PERMISSION
本図面は日本モレックス(株)の所有する情報を含むもので 当社の許可なく複製を禁止する。
EN-01C(032)MXJ-32

DIMENSIONS IN METRIC DO NOT SCALE DRAWING

53261S11

E

D

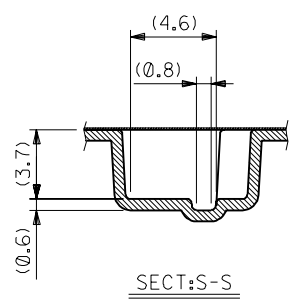
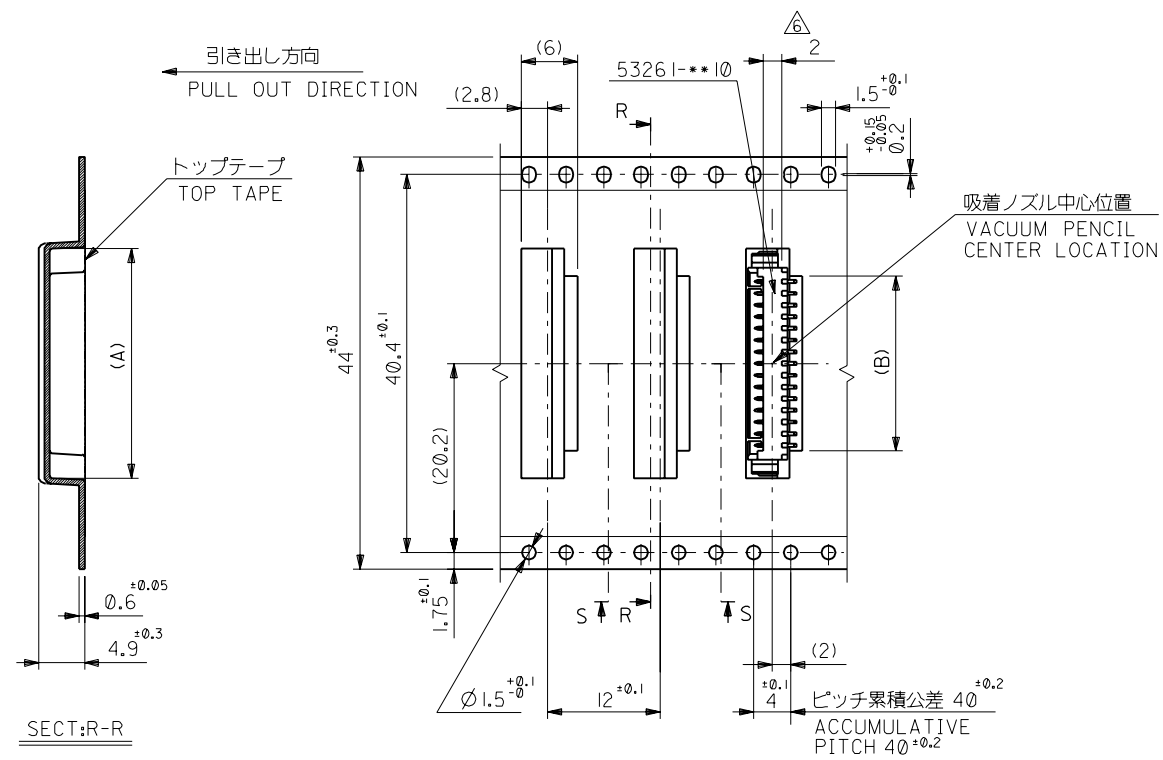
C
DIMENSIONS IN METRIC DO NOT SCALE DRAWING

B

A

MM

8 7 6 5 4 3 2 1



44mm幅キャリアテープ
44mm WIDTH CARRIER TAPE

| | | | | | |
|-------------------------|-------|--------|--------------------------|--------------|-------------------|
| 角度 ANGLE | ±3° | | | | |
| 30以上 OVER | +0.3 | | | | |
| 10以上 30未満 UNDER | +0.25 | F | 変更 REVISIED | (C2001-0437) | S.M. T.Y. 00/12/8 |
| 10未満 UNDER | +0.2 | E | 変更及び再作図 REVISIED&REDRAWN | (J30522) | K.T. H.H. 93/6/1 |
| 一般公差 GENERAL TOLERANCES | | 記号 LTR | 変更内容 REVISION RECORD | DR. CHK. | 日付 DATE |

| | | | | | |
|-------------------------------|-------------------------------|---------------------------|---|------------|---------|
| 44 | 44.4 | 18.7 | 24.5 | 53261-1590 | 15 |
| キャリアテープ幅 CARRIER TAPE WIDTH | C | B | A | ENG. NO. | 極致 CKT. |
| 17.45 | 23.25 | 53261-1490 | 14 | | |
| 材料 MATERIAL | 注記参照 SEE NOTES | | molex MOLEX-JAPAN CO.,LTD. 日本モレックス株式会社 | | |
| 仕上げ FINISH | — | | REVISE ONLY ON CAD SYSTEM | | |
| 適用電線範囲 WIRE RANGE | — | | TITLE 名称 | | |
| 被覆外径 INS. RANGE | — | | 1.25 WIRE TO BOARD CONN. WAFER ASS'Y FOR SMT. EMBOSSED TAPE PACKAGE | | |
| DRAWN BY '93/6/1 K.T.OJO | CHK'D BY '00/12/8 T.YAMAGUCHI | DWG. NO. SHEET 3 OF 3 REV | | | |
| APP'D BY '00/12/8 M.FUKUSHIMA | 尺度 SCALE | SD-53261-***90 F | | | |

8 7 6 5 4 3 2 1